

Solid handwheels

Technopolymer

MATERIAL

Glass-fibre reinforced polyamide based (PA) technopolymer, black colour, matte finish.

BOSS CAP

Acetal resin based (POM) technopolymer, black colour, matte finish, push-fit assembly.

RING

Matte anodised aluminium.
(ELESA original design - Reg. U.S. Pat. & TM Off.)

STANDARD EXECUTIONS

Black-oxide steel boss, H7 reamed hole.

- **VDT.**: without handle.
- **VDT+I**: with revolving handle I.621+x (see page 576) in technopolymer.
- **VDT+IR**: with fold-away handle IR.620 (see page 584) in technopolymer.
- **K**: index for executions with hole and keyway in compliance with DIN 6885/1 (see page A-16), tolerance P9 i.e.:
170307-K VDT.100 A-10-K

ACCESSORIES ON REQUEST

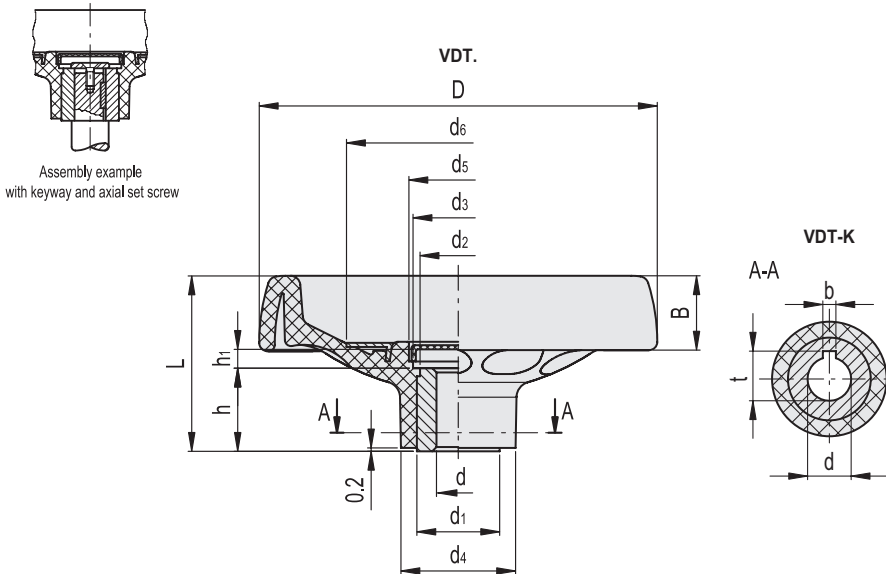
Axial retaining washer type GN 184 (see page 971).

ERGONOMY

The rim with internal rear scallops makes the grip and the manoeuvre of the handwheel easier.



ELESA Original design 2003

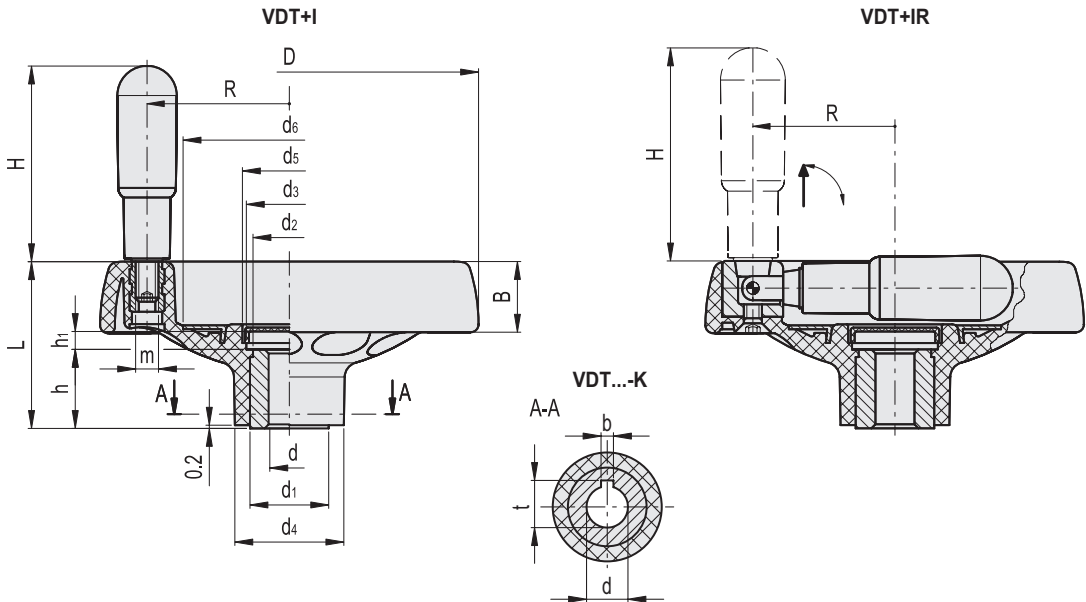


VDT.

Code*	Description*	D	dh7	L	B	d1	d2	d3	d4	d5	d6	h	h1	C# [Nm]	L# [J]	
170307	VDT.100 A-10	100	10	49	22	22	20	26	32	28	54	22	5.5	180	21	155
170505	VDT.125 A-12	125	12	57	24	26	24	28	36	31	70	27	7	200	23	285
170707	VDT.160 A-14	160	14	64	27	35	33	38	46	40	90	28	11	400	25	505
170907	VDT.200 A-20	200	20	68	30	40	38	50	51	52	110	31	9	600	35	730

* To order the execution with hole and keyway add the index -K after the code and description (i.e. 79111-R-K VRTP.80-P+I-SST-8-K).

For maximum torque (C) and impact strength (L) see Technical Data on page A3.



VDT+I

Code*	Description*	D	dh7	L	B	d1	d2	d3	d4	d5	d6	h	h1	H	m	R	C# [Nm]	L# [J]	⚖️
170317	VDT.100+I A-10	100	10	49	22	22	20	26	32	28	54	22	5.5	60	M6	37	180	21	185
170515	VDT.125+I A-12	125	12	57	24	26	24	28	36	31	70	27	7	65	M8	47	200	23	355
170717	VDT.160+I A-14	160	14	64	27	35	33	38	46	40	90	28	11	80	M8	62	400	25	585
170917	VDT.200+I A-20	200	20	68	30	40	38	50	51	52	110	31	9	90	M10	78	600	35	820

VDT+IR

Code	Description	D	dh7	L	B	d1	d2	d3	d4	d5	d6	h	h1	H	R	C# [Nm]	L# [J]	⚖️
170327	VDT.100+IR A-10	100	10	49	22	22	20	26	32	28	54	22	5.5	60	37	180	21	195
170525	VDT.125+IR A-12	125	12	57	24	26	24	28	36	31	70	27	7	65	47	200	23	365
170725	VDT.160+IR A-12	160	12	64	27	35	33	38	46	40	90	28	11	80	62	400	25	605
170727	VDT.160+IR A-14	160	14	64	27	35	33	38	46	40	90	28	11	80	62	400	25	600
170927	VDT.200+IR A-20	200	20	68	30	40	38	50	51	52	110	31	9	90	78	600	35	875

* To order the execution with hole and keyway add the index -K after the code and description (i.e. 79111-R-K VRTP.80-P+I-SST-8-K).

For maximum torque (C) and impact strength (L) see Technical Data on page A3.